

MANUVERING  
SPEED/V<sub>0</sub> 133 KIAS  
NORMAL CATEGORY AIRPLANE  
NO AEROBATIC MANUVERS,  
INCLUDING SPINS, APPROVED

ALTITUDE - GPH  
1600 --- 17  
1200 --- 18  
800 --- 21  
400 --- 24  
SL  
MAX POWER FUEL FLOWS

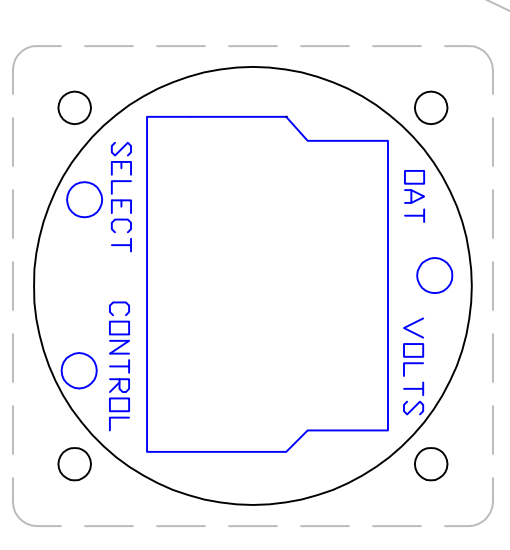
Original Panel Edge

N501NA

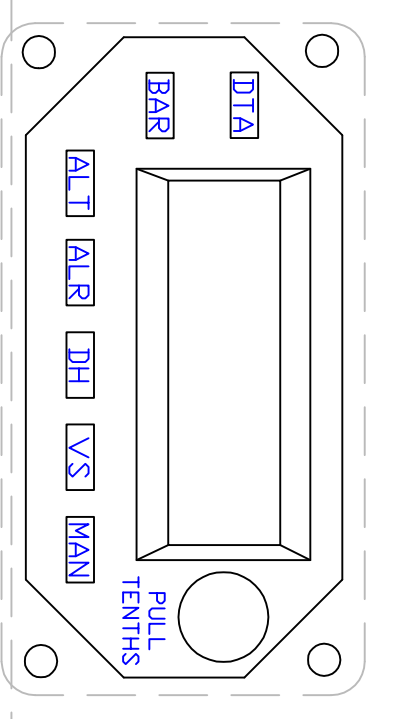
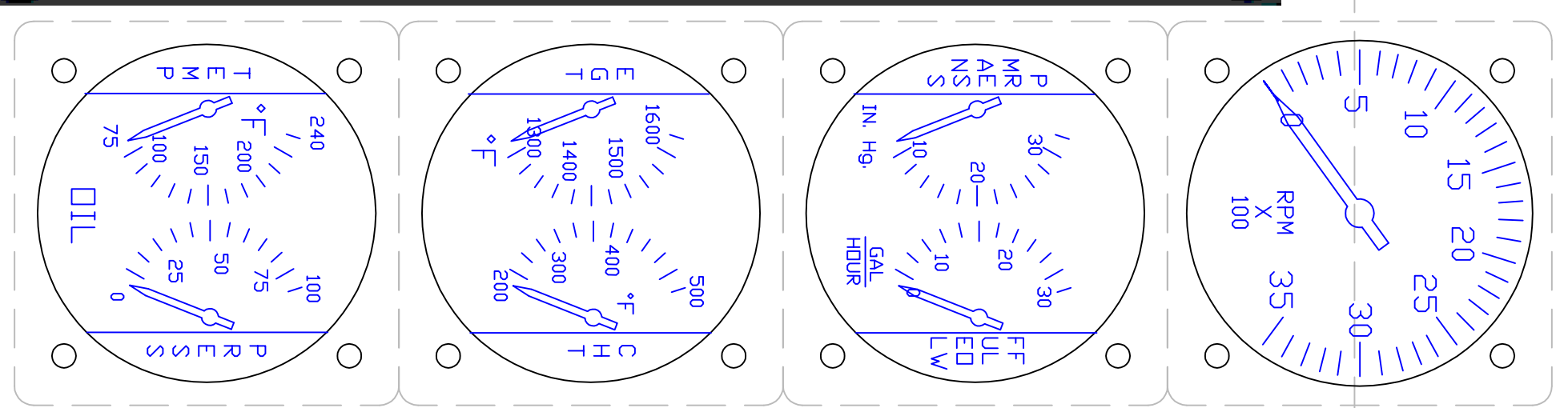
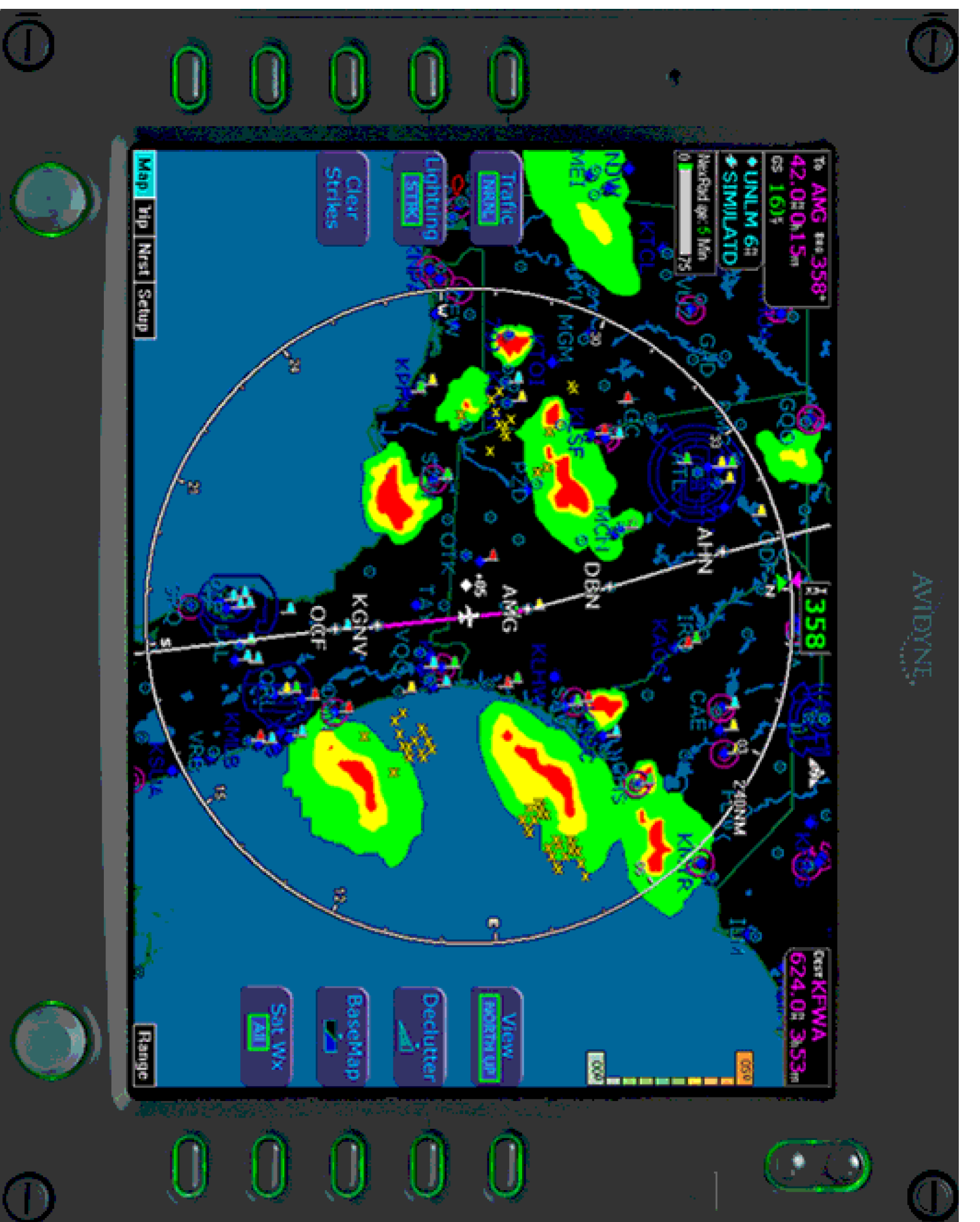
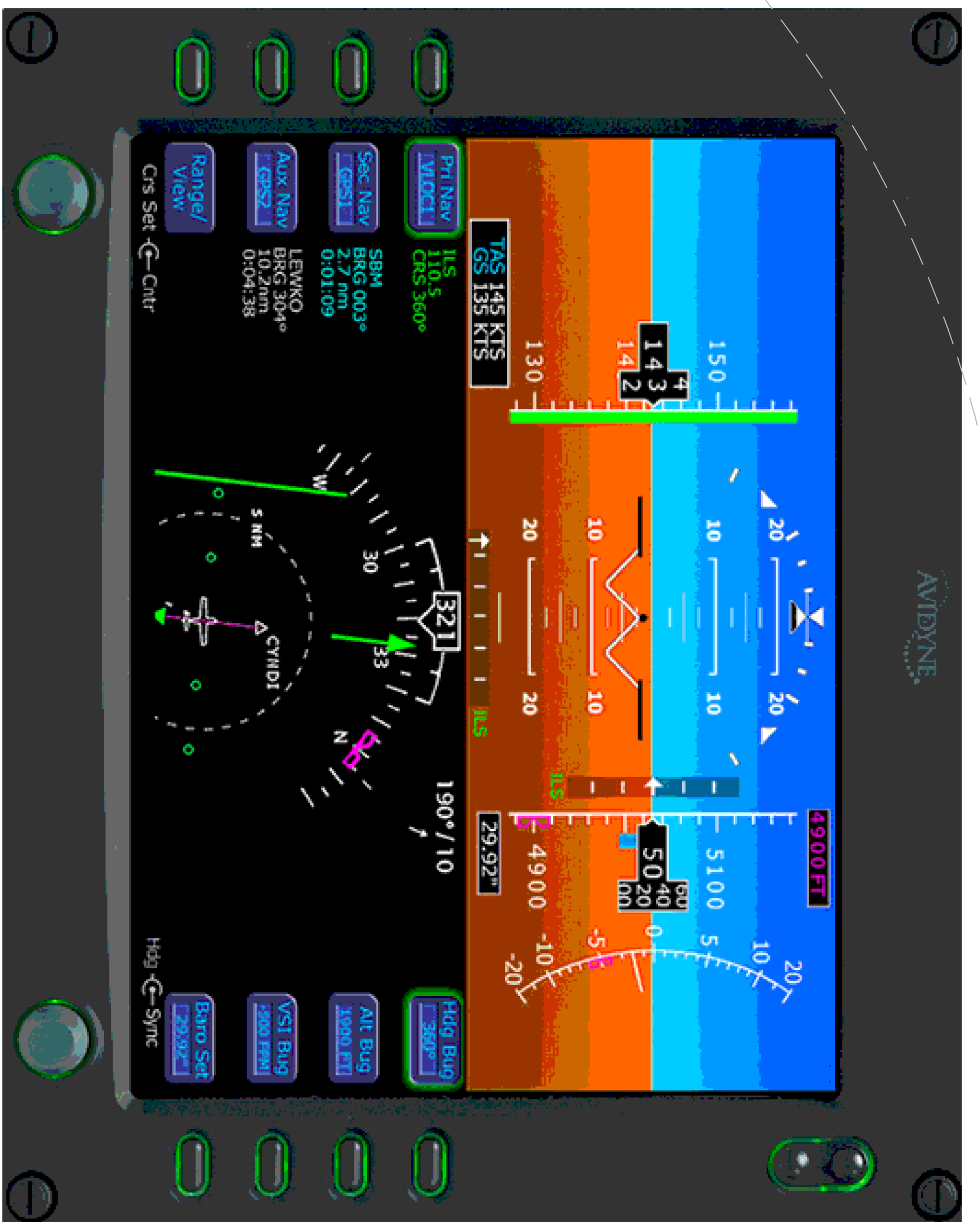
DISPLAY MODE  
RESEARCH  
STANDARD

2,000

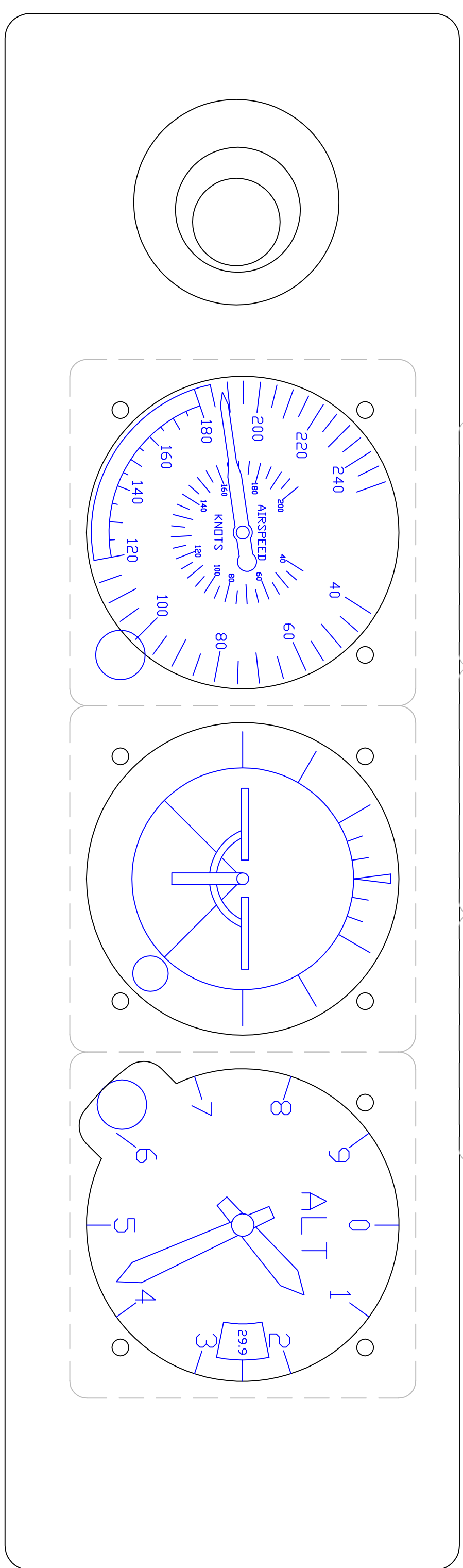
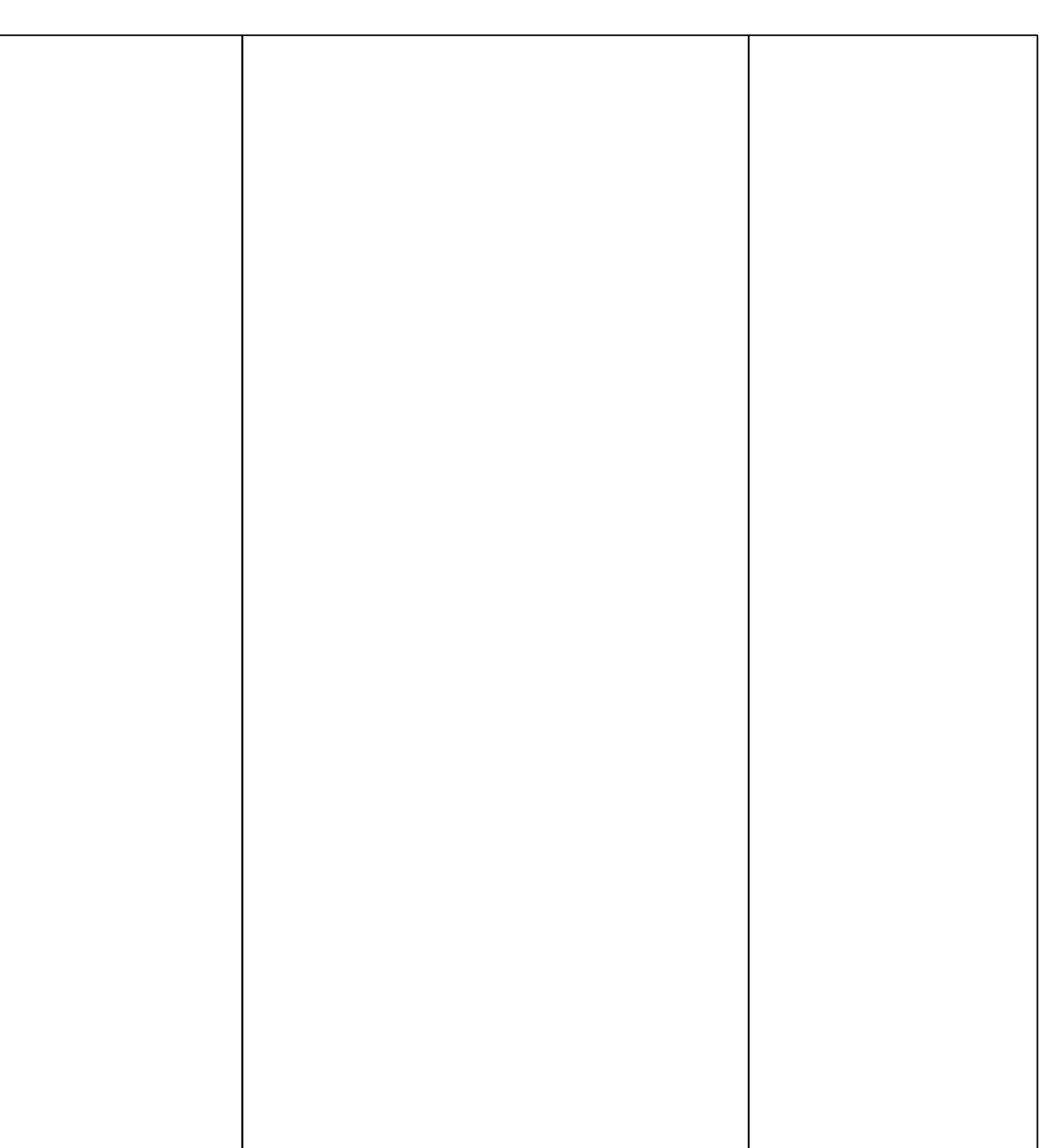
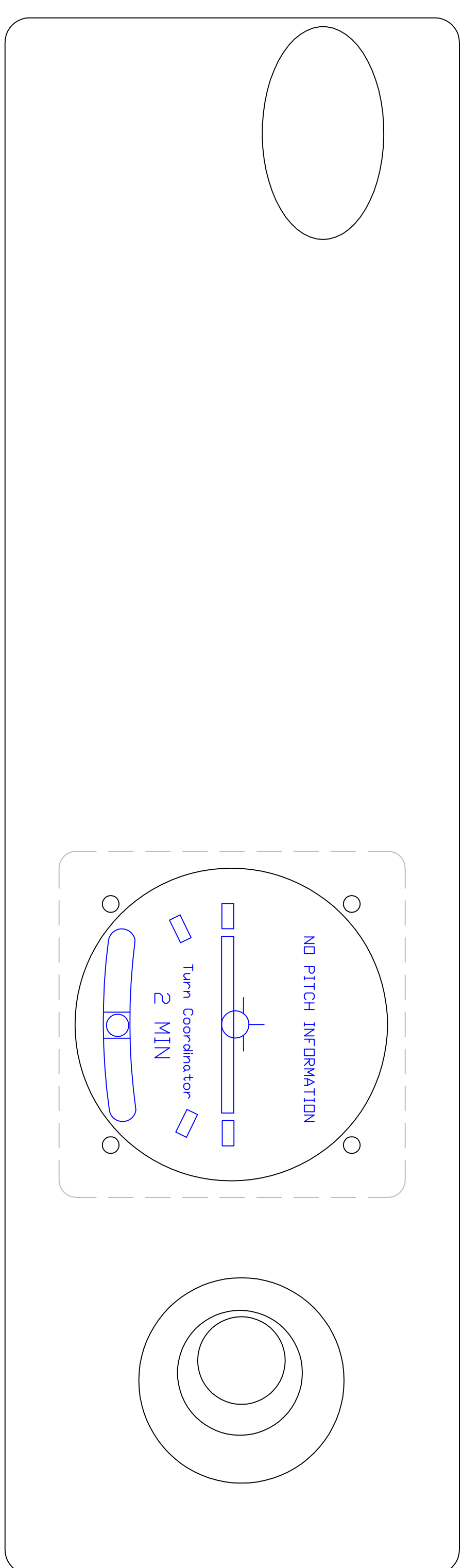
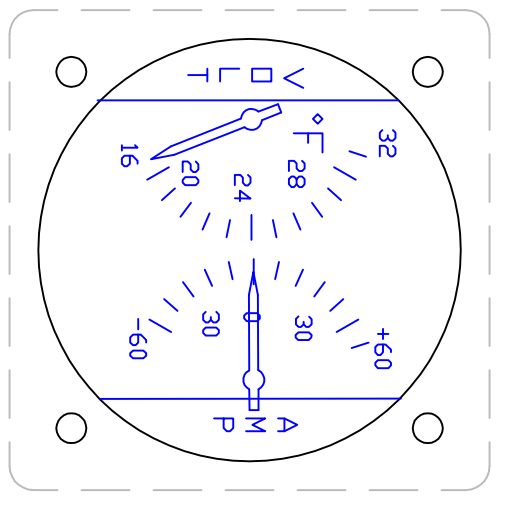
Certified PFD



DIM  
TEST



ALTIMETER  
SELECT  
ALT1  
ALT2



HEAT  
OFF

HEAT  
OFF

COLD  
OFF

MIP2B  
EXTENDE HEIGHT +2'  
FULL WIDTH  
3 GLASS WIDE